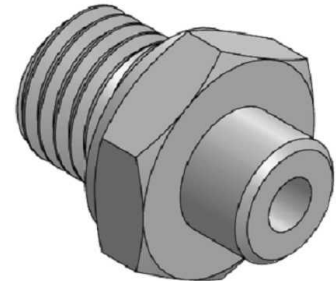
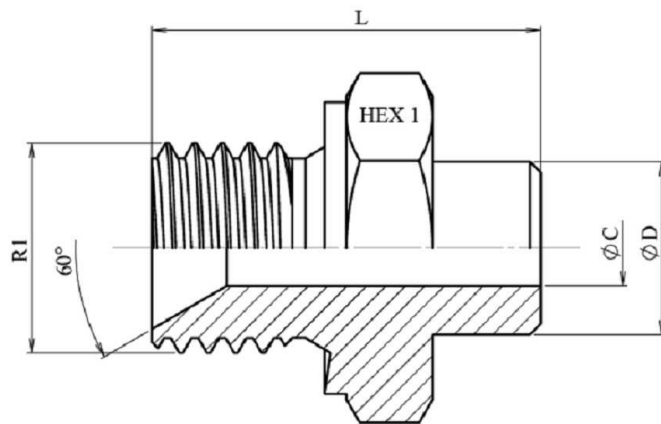


Welding adaptor BSP male (60°) (external welding)

Carbon steel



Part n°	R1	L	HEX 1	ØC	ØD
A103002	1/8" BSP	18	14	3,5	8
A103004	1/4" BSP	23	19	6	11,5
A103006	3/8" BSP	27	22	8	15
A103008	1/2" BSP	30,5	27	11	20
A103012	3/4" BSP	36,5	32	16	25
A103016	1" BSP	43,5	41	22	31
A103020	1"1/4 BSP	47	50	28,6	39,5
A103024	1"1/2 BSP	51	55	33	45,2
A103032	2" BSP	57	70	46	57

Surface treatment: Black blueing